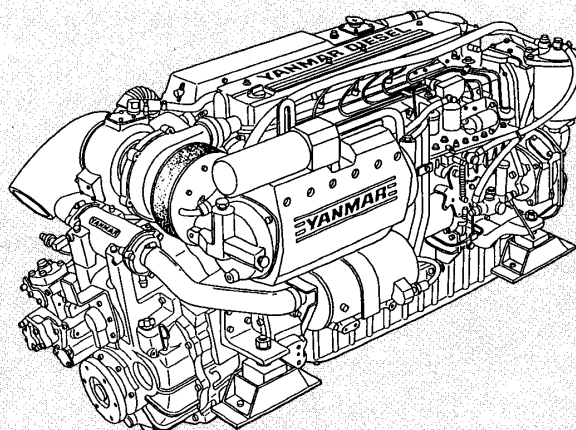




OPERATION MANUAL

YANMAR

**YANMAR DIESEL
ENGINE
6LYA-UTE, STE**



**Be sure to read this manual for safe and proper operation.
Store this manual carefully after use.**

Congratulations on your choice of
YANMAR product from YANMAR DIESEL ENGINE CO., LTD.
This manual describes operation, periodic inspection and
maintenance servicing for the ENGINE manufactured by
YANMAR DIESEL ENGINE CO., LTD.
Please read this manual carefully before use, and operate
your engine properly under the optimum conditions, should
you have any questions or concerns, please do not hesitate to
contact your nearest dealer or distributor.

California Proposition 65 Warning

Diesel engine exhaust and some of its
constituents are known to the State of
California to cause cancer, birth defects,
and other reproductive harm.

**YANMAR
MARINE DIESEL ENGINE
MODELS : 6LYA-UTE, STE
OPERATION MANUAL**

Thank you purchasing a YANMAR Marine Diesel Engine.

[INTRODUCTION]

- This Operation Manual describes the operation, maintenance and inspection of the 6LYA-UTE, STE Yanmar marine diesel engine.
- Read this Operation Manual carefully before operate the engine to ensure that the engine is used correctly and in that it stays in the best possible condition.
- Keep this Operation Manual in a convenient place for easy access.
- If this Operation Manual is lost or damaged, order a new one from your dealer or distributor.
- If giving your engine to someone else, be sure to attach this Operation Manual.
- Constant efforts are made to improve the quality and performance of Yanmar products, so some details included in this Operation Manual may differ slightly from your engine. If you have any questions about this, please contact yanmar dealer or distributor.
- The marine gear described in this manual is Yanmar model KMH6A.
- For detailed information marine gears other than model KMH6A refer to the Marine Gear Operation Manual.

Operation Manual (Marine Engine)	Models	6LYA-UTE, STE
	Code No.	499613-02060



INDEX

page No.

INTRODUCTION	1
INDEX	2
1 FOR USE IN SAFETY	3~5
1.1 Safety Indication	3
1.2 Safety Precautions	4~5
2 EXPLANATION OF PRODUCT	6~13
2.1 Use, Driving System etc.	6
2.2 Engine Specifications	7
2.3 Names of Parts	8
2.4 Major Servicing Parts	9
2.5 Control Equipment	10~13
2.5.1 Control panel	10~12
2.5.2 Single Lever Remote Control Handle	13
3 OPERATION	14~28
3.1 Fuel oil, Lube oil & Cooling Water	14~16
3.1.1 Fuel oil	14
3.1.2 Lube oil	15
3.1.3 Cooling Water	15~16
3.2 Before Initial Operation	17~20
3.2.1 Supplying Fuel	17
3.2.2 Supplying Engine Lube oil	17
3.2.3 Supplying oil to marine gear (for Yanmar model : KMH6A)	18
3.2.4 Supplying Cooling Water	18
3.2.5 Cranking (Idling)	19~20
3.2.6 Checking and Resupplying Lube Oil and Cooling Water	20
3.3 How to Operate	21~26
3.3.1 Inspection before Starting	21~23
3.3.2 How to Start the Engine	23~24
3.3.3 Operation	25
3.3.4 Cautions during Operation	25~26
3.3.5 Stopping the Engine	26
3.4 Long Term Storage	27~28
4 MAINTENANCE & INSPECTION	29~40
4.1 General Inspection Rules	29
4.2 List of Periodic Inspection	30~31
4.3 Periodic Inspection Items	32~40
4.3.1 Inspection on Initial 50 Hrs. Operation (or after 1 week)	32~33
4.3.2 Inspection Every 50 Hours (or 1 week)	33~35
4.3.3 Inspection after First 250 Hrs.	35
4.3.4 Inspection Every 250 Hrs.	35~38
4.3.5 Inspection Every 500 Hrs.	38
4.3.6 Inspection Every 1000 Hrs.	39~40
4.3.7 Inspection Every 2000 Hrs.	40
5 TROUBLE AND TROUBLESHOOTING	41~42
6 SYSTEM DIAGRAMS	43

MEMO

A series of horizontal dashed lines for writing a memo.

Local Subsidiary Company

YANMAR DIESEL AMERICA CORP.

901 CORPORATE GROVE DRIVE, BUFFALO GROVE, IL 60089-4508, U.S.A.
TEL : 847-541-1900
FAX : 847-541-2161

YANMAR EUROPE B.V.

BRUGPLEIN 11, 1332 BS ALMERE-DE VAART, P.O.BOX 30112, 1303 AC Almere, The Netherlands
TEL : 036-5324924
FAX : 036-5324916
TELEX : 70732 YMR A NL

YANMAR ASIA (SINGAPORE) CORPORATION PTE LTD.

4 TUAS LANE, SHINGAPORE 2263
TEL : 861-5077
FAX : 861-5189
TELEX : RS 35854 YANMAR

YANMAR DIESEL ENGINE CO.,LTD.



OVERSEAS OPERATIONS DIVISION

1-1, 2-chome, Yaesu, Chuo-ku, Tokyo 104, Japan

Telex: 0222-4733

Telephone 03-3275-4941

Facsimile: 03-3272-0687 Cable: YANMAR TOKYO

User's record

Date of purchase
Place of purchase (Name of dealer)

499613-02060